



# TECHNICAL DATA

## OPERATIONAL SPECIFICATION

Effective flow range for a 6 bar(g) system @  $\Delta P = 1$  Bar

Size 2	2.8 - 450 NI/min
Size 10	129 - 2000 NI/min
Size 30	163 - 6900 NI/min

Operating pressure	1 - 15 bar(g) 15 - 217 psi(g)
--------------------	----------------------------------

Operating temperature	0 to +80 °C
-----------------------	-------------

Maximum recommended inlet temperature	35 °C
---------------------------------------	-------

## MECHANICAL SPECIFICATION

Inlet/Outlet connection (female)

Size 2 & 10	1/4" BSPT
Size 30	3/4" BSPT

Drain Connection	1/2" BSPP (male)
------------------	------------------

Weight

Size 2	0.345 kg
Size 10 & 30	2.08 kg

Particulate removal	1 micron
---------------------	----------

Material (housing)	Stainless Steel 304
--------------------	---------------------

Material (internal)	ABS
---------------------	-----

## FILTER ORDERING CODES

### FILTER ONLY

EXPEL-02  
EXPEL-10  
EXPEL-30

### WITH MAGNETIC AUTO DRAIN\*

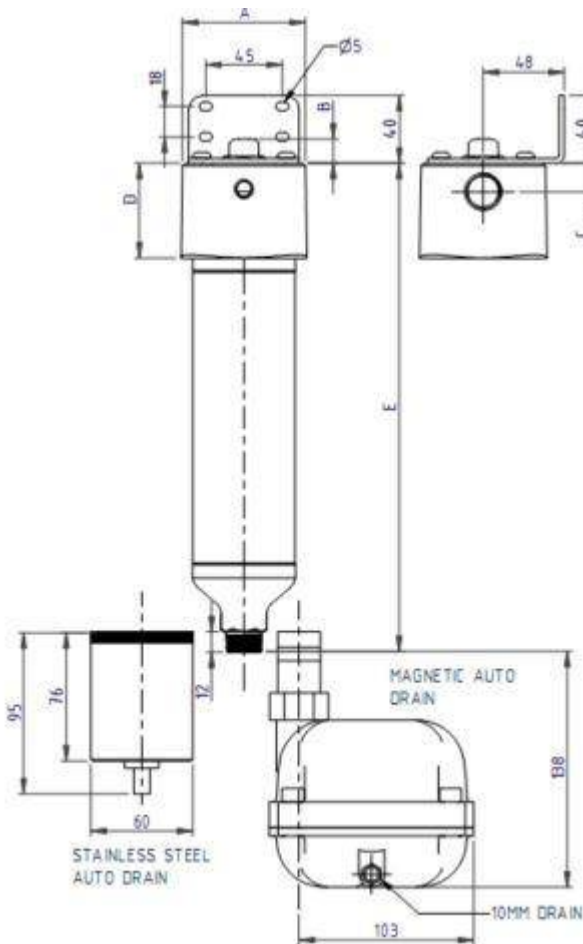
EXPEL-02-AD  
EXPEL-10-AD  
EXPEL-30-AD

\*CAST ALLOY BODY

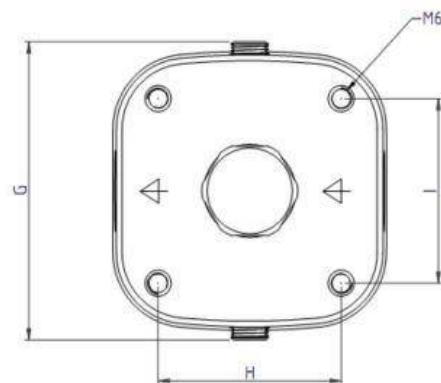
### WITH STAINLESS AUTO DRAIN

EXPEL-02-AD-SS  
EXPEL-10-AD-SS  
EXPEL-30-AD-SS

## FILTER DIMENSIONS WITH AUTO DRAINS



## DIMENSIONS TOP MOUNTING



SIZE / DIMENSION	02	10	30
A	34.5mm	72mm	72mm
B	N/A	14mm	14mm
C	9mm	17mm	17mm
D	30mm	56mm	56mm
E	150mm	293mm	293mm
F	25mm	60mm	60mm
G	35mm	80mm	80mm
H	25mm	49.5mm	49.5mm
I	25mm	49.5mm	49.5mm

\*Not to scale